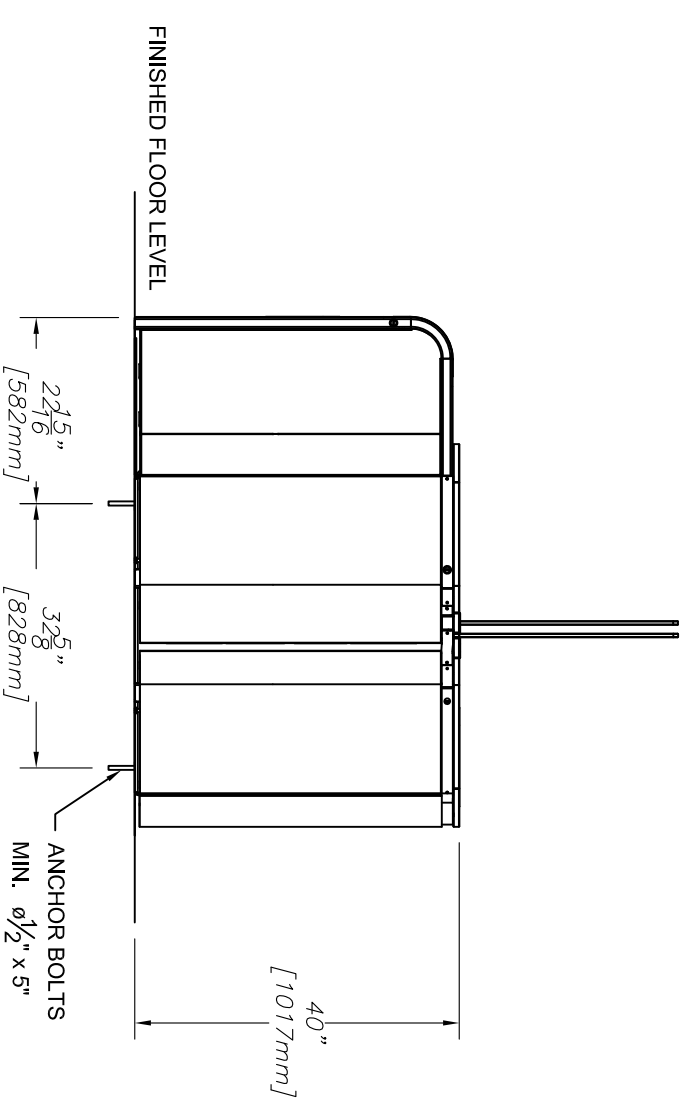
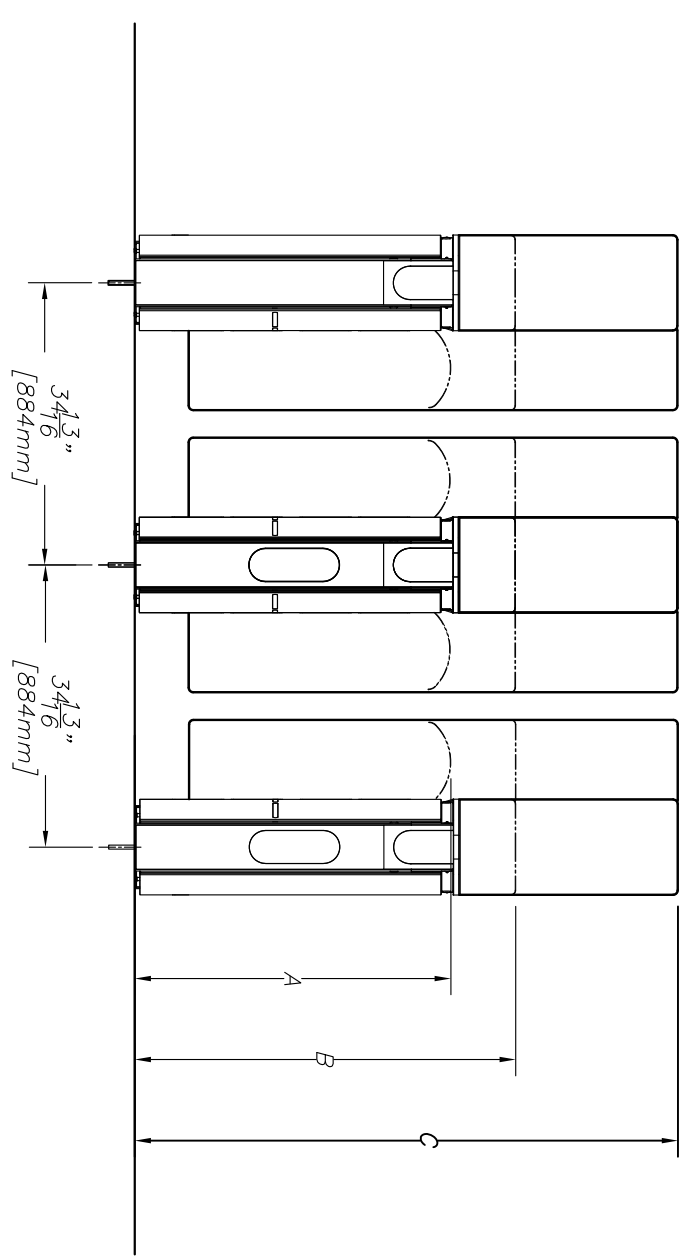


GLASS HEIGHT		
A	39" (990mm)	OPTION
B	47" (1194mm)	OPTION
C	67" (1701mm)	STD



NOTE:
 1-SHUTTERS ONLY PRESENT ON UNITS WITH 47" OR 67" GLASS.
 2-FOR ELECTRICAL CONNECTIONS AND CONDUITS LAYOUT REFER TO NAM-SL-EL-EN-01.

AUTOMATIC SYSTEMS MAKES NO REPRESENTATION AS TO THE PROPER POSITIONING OF THE SECURITY ENTRANCE LINES AT THE INSTALLATION LOCATION, ESTABLISHING THE LAYOUT AND PLACEMENT OF THE UNIT(S) AND DETERMINING COMPLIANCE WITH THE APPLICABLE BUILDING CODES, OTHER CODES, LAWS AND REGULATIONS IS THE SOLE RESPONSIBILITY OF THE PURCHASER. INSTALLATION MUST BE PERFORMED BY A QUALIFIED INSTALLER FOLLOWING MANUFACTURER'S INSTRUCTIONS, OTHERWISE AUTOMATIC SYSTEMS' WARRANTIES MAY BE VOID.

MATERIAL/MATERIAL	FICHE/FICHIER	FILENAME	TRETTAMENTO/TREATMENT	FIN/FINISH
Nb./App. Poids/Weight	SURFACE	NAM-SL901-IN-00-EN.DWG	EBARBER LES ARÊTES VIVES BREAK ALL SHARP EDGES	
FABRICATION				

DIMENSIONS		FORMAT	
-		B	
TITRE			
SL-901 2LANES			
DESIGNÉ PAR		DATE	
JPS		06/01/2012	
DRAWN BY		FEUILLE/SHEET	
N/A		1	
VERIFIÉ PAR		REV.	
-		A	



REV.	DATE	NEW RELEASE	MODIFICATIONS/CHANGES	JPS
A	06/01/2012			